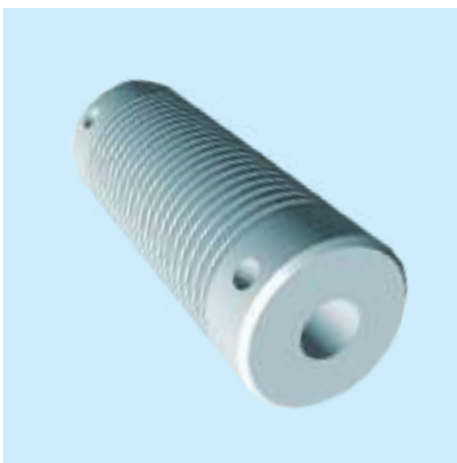
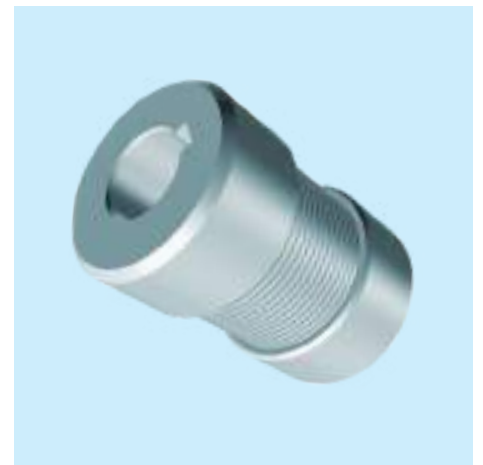
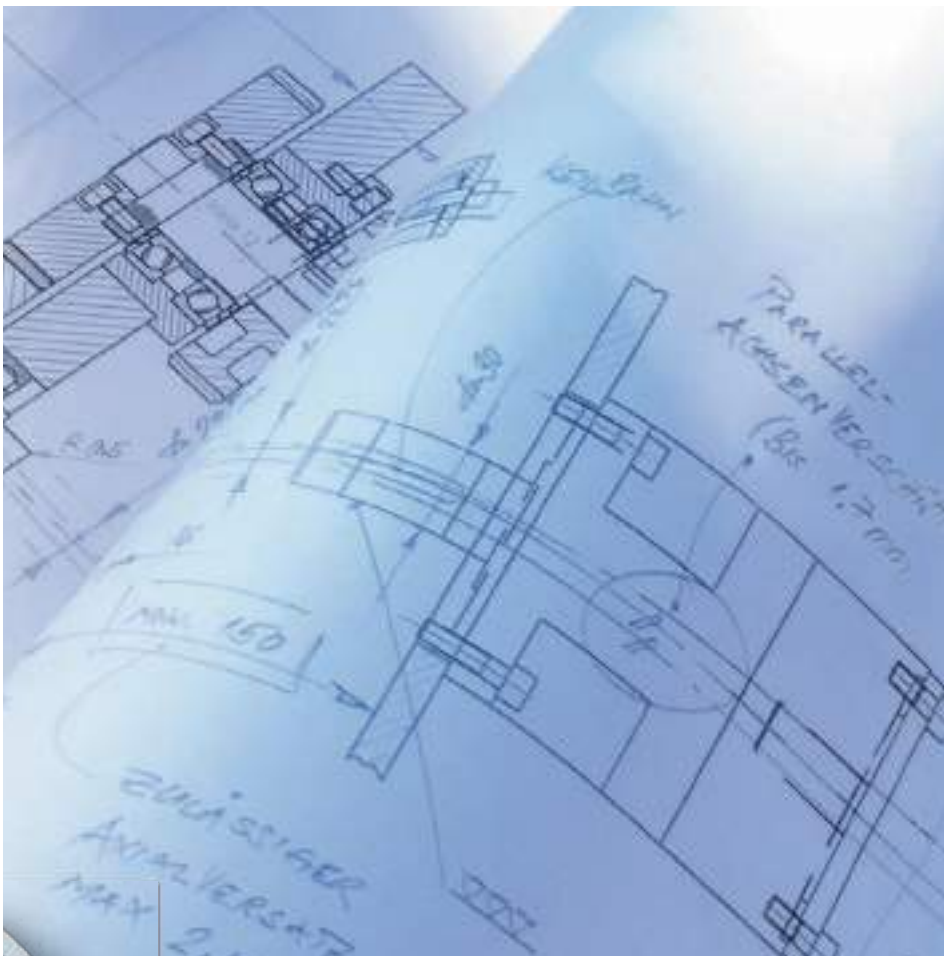
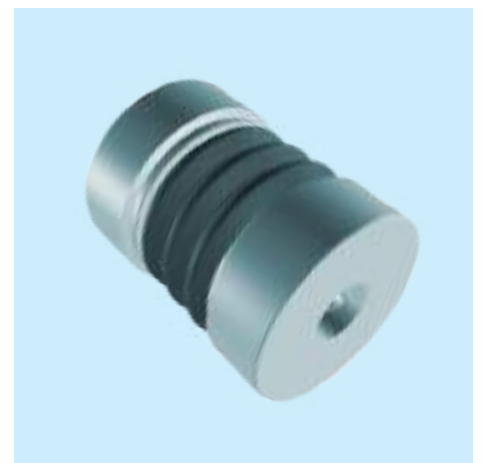


# MECHANICAL DRIVE COMPONENTS



FLEX COUPLINGS  
MINIFLEX COUPLINGS  
BELLOW COUPLINGS  
LOCKING ASSEMBLIES  
SPECIAL SOLUTION

Please contact us:  
[couplings@baumann-group.com](mailto:couplings@baumann-group.com)

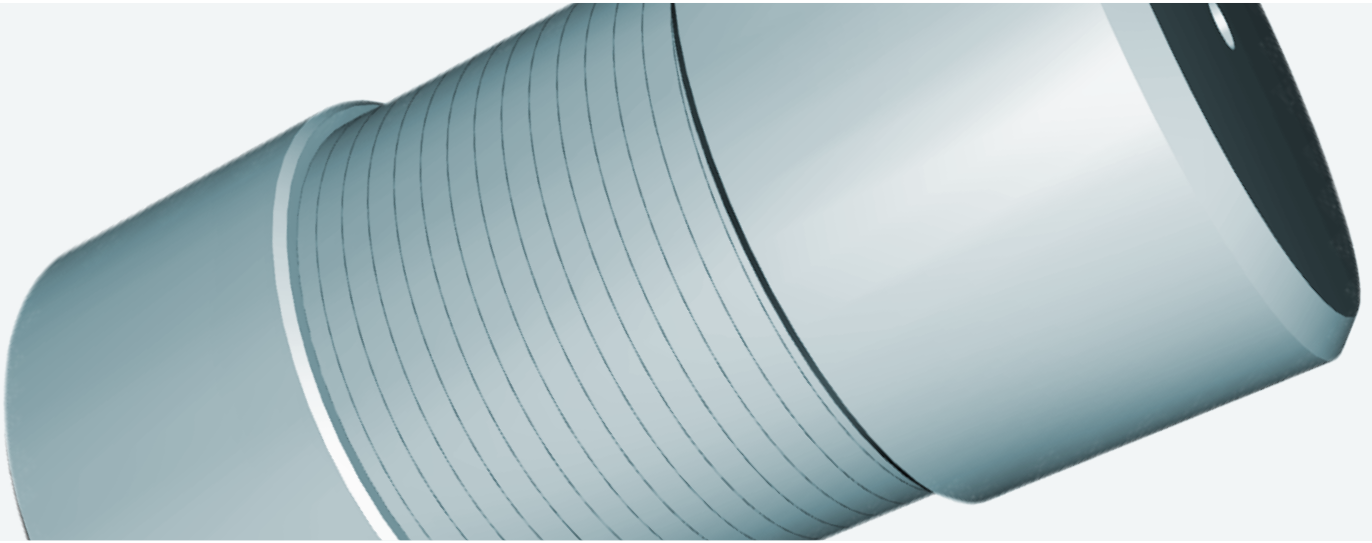


# SUMMARY

FLEX COUPLINGS	3–8
MINIFLEX COUPLINGS	9–10
BELLOW COUPLINGS	11–12
LOCKING ASSEMBLIES	13–14
SPECIAL SOLUTION	15

# FLEX-COUPLINGS

MM, MF, FF, FN, K-MM



## STRUCTURE

The rotation-elastic transmission element consists of a spring assembly with three layers and each layer consists of three single springs with square cross section.

The spring assemblies are linked by hubs or flanges, according to the type.

The types MM, MF and FF are available in three lengths. Material structure: The surface of hubs and flanges is turned, couplings are peen-finished.

## FEATURES/USES

- › Independent of the direction of rotation
- › Small mass moment of inertia
- › The compact and rotation symmetrical design avoids any substantial unbalance. Therefore a high number of revolutions is allowed
- › Coupling has a low absorbing effect by elastic deformation and internal friction of the spring assembly
- › All of the coupling components are made of steel
- › The standard model is resistant to temperatures between  $-40\text{ °C}$  and  $+100\text{ °C}$
- › If needed, couplings resistant to temperatures up to  $+300\text{ °C}$  are available
- › Our couplings cannot be used in combustion engines (overstressing)

# FLEX COUPLINGS

## MISALIGNMENT

BAUMANN Flex couplings compensate for radial, axial and angular misalignment. The values in the table should be met with regard to a long life. The type K-MM which includes a splined shaft can be selected if more axial misalignment is required.

## STANDARD MODELS

The standard program includes couplings for torques from 2,5 to 900 Nm. These couplings are available in different lengths and types. If required by the customer, we rework finished bores, keyways, taps, etc.

## SPECIAL MODELS

The type MM and length K is available in the sizes 06 to 28 as corrosion resistant type. The types MM and MF of the sizes 06 to 28 and of the lengths K, L and D can be delivered with clamp-hubs. All sizes and types are available for temperatures up to 300 °C.

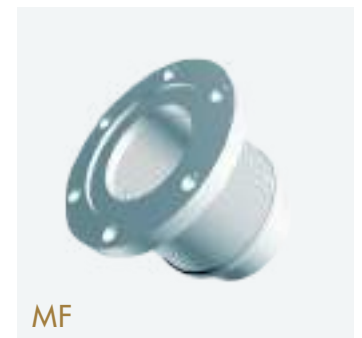
## MAINTENANCE

Usually, the primal lubrication is sufficient, therefore, no further lubrications are necessary at a later point of time.

## AVAILABILITY

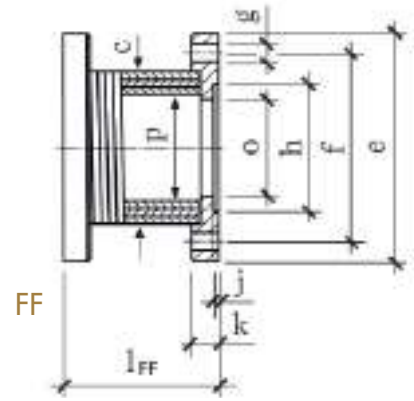
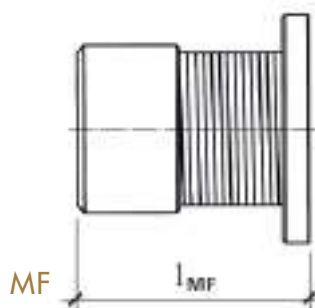
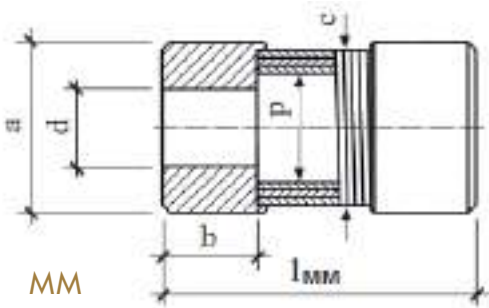
All standard couplings are available at short notice with pilot bores. Required reworks can be made within 3 - 5 weeks. For special applications and non-standard executions please contact us.

## TYPES



# FLEX COUPLINGS

MM, MF, FF



## DIMENSIONS

Couplings, type MM, MF and FF, are available with three different lengths K, L, D.

Nominal bore in mm = size		06	08	12	14	16	19	20	24	25	28	30*	35*	40*	50*	60*	
Nominal torque	Nm	2.5	5	10	10	20	20	40	40	90	90	150	220	300	500	900	
a	mm	17	21	26	30	35	38	45	48	55	55	65	75	80	100	120	
b	mm	8	10	15	15	20	20	25	25	31	31	37	44	50	62	75	
c	mm	15.5	19	24	28	32	36	40	45	50	52	60	70	75	95	115	
d pilot bored	mm	2.5	3.5	5.5	5.5	5.5	5.5	5.5	5.5	5.5	5.5	5.5	5.5	21	24	34	
d with keyway	mm	6	8	12	14	16	19	20	24	25	28	30	35	40	50	60	
d without keyway	mm	10	12	15	19	20	25	27	31	34	35	40	45	50	64	75	
e	mm	32	42	48	52	58	62	65	70	75	78	90	100	120	150	180	
f	mm	24	30	37	40	47	50	52	57	62	65	74.5	84	101.5	130	155.5	
g	mm	3x3.4	3x4.8	3x4.8	3x4.8	4x4.8	4x4.8	4x4.8	4x4.8	6x5.8	6x8.5	4x7	6x7	8x7	8x9.5	8x11.5	
h <sup>H7</sup>	mm	15	18	22	25	30	32	35	40	42	45	47	57	75	90	110	
i	mm	1.5	1.5	1.5	1.5	1.5	1.5	1.5	1.5	1.5	1.5	2.5	2.5	2.5	3	3	
k	mm	4	6	6	6.5	6.5	7	7	7	8.5	8.5	10	13	14	17	20	
l <sub>MM</sub>	MM	K mm	25	35	50	50	65	65	80	80	100	100	125	150	170	210	250
		L	30	45	60	60	80	80	95	95	120	120	150	180	200	250	300
		D	35	50	70	70	90	90	110	110	140	140	175	210	240	300	350
l <sub>MF</sub>	MF	K mm	20	30	40	40	50	50	60	60	75	75	95	115	130	160	190
		L	25	40	50	50	65	65	75	75	95	95	120	145	160	200	240
		D	30	45	60	60	75	75	90	90	115	115	145	175	200	250	290
l <sub>FF</sub>	FF	K mm	15	25	30	30	35	35	40	40	50	50	65	80	90	110	130
		L	20	35	40	40	50	50	55	55	70	70	90	110	120	150	180
		D	25	40	50	50	60	60	70	70	90	90	115	140	160	200	230
o	mm	9.5	12	15	18	21	24	25	30	32	34	38	43	48	60	70	
p	mm	11	13	16.5	20.5	22.4	26.4	28	33	35	37	40.8	46	51	65	76.6	

### Part number of pilot bored design

MM	K	6110390	6110461	6110597	6110695	6110798	6110882	6110973	6111041	6111111	6111251	6111295	6111323	6111357	6111376	6111387
	L	6110398	6110491	6110628	6110719	6110826	6110903	6110998	6111056	6111217	6111266	6111305	6111326	6111362	6111379	-
	D	6110378	6110410	6110502	6110631	6110723	6110836	6110913	6111001	6111064	6111229	6111270	6111307	6111328	6112475	6111383
MF	K	6110175	6110201	6110229	6110234	6110238	6110258	6110261	6110266	6110270	6110274	6110277	6110281	6110284	6110287	-
	L	6110176	6110226	6110232	6110236	6110256	6110259	6110263	6110267	6110272	6110275	6110279	6110282	6110285	6110288	6110290
	D	6110177	6110227	6110233	6110237	6110257	6110260	6110264	6110268	6110273	6110276	6110280	6110283	6110286	6112476	6110291
FF	K	6110104	6110107	6110119	6110129	6110133	6110143	6110324	6111393	6111397	6111503	6111507	6111517	6111528	6111538	-
	L	6110105	6110108	6110120	6110130	6110134	6110144	6110325	6111394	6111398	6111504	6111508	6111519	6111529	099338	6111544
	D	6110106	6110109	6110121	6110131	6110135	6110145	6110326	6111395	6111399	6111505	6111509	6111520	6111530	6112478	-

\*Outer tolerance h9

# FLEX COUPLINGS

MM, MF, FF

## SPECIFICATIONS

Nominal bore in mm = Size			06	08	12	14	16	19	20	24	25	28	30	35	40	50	60			
Nominal torque	LENGTH	$M_N$	Nm	2.5	5	10	10	20	20	40	40	90	90	150	220	300	500	900		
Max. speed		$N_{max}$	min <sup>-1</sup>	20000	15000	12000	10000	9000	8000	7000	7000	6000	6000	5000	4500	3000	1500	1500		
Angular misalignment	LENGTH	K	$\Delta W_w$	°	3	3	3	3	3	3	3	3	3	3	3	3	3	3		
			L	°	4.5	4.5	4.5	4.5	4.5	4.5	4.5	4.5	4.5	4.5	4.5	4.5	4.5	4.5	4.5	
			D	°	6	6	6	6	6	6	6	6	6	6	6	6	6	6	6	
Radial misalignment	LENGTH	K	$\Delta W_r$	mm	0.18	0.24	0.36	0.42	0.48	0.57	0.6	0.72	0.75	0.84	0.9	1.0	1.2	1.5	1.8	
			L	mm	0.27	0.36	0.54	0.63	0.72	0.86	0.9	1.0	1.1	1.2	1.3	1.6	1.8	2.2	2.7	
			D	mm	0.36	0.48	0.72	0.84	0.96	1.1	1.2	1.4	1.5	1.7	1.8	2.0	2.4	3.0	3.6	
Axial misalignment (tension)	LENGTH	K	$\Delta W_a$	mm	0.4	0.5	0.6	0.6	0.8	0.8	1.0	1.0	1.2	1.2	1.6	2.0	2.0	2.5	3.2	
			L	mm	0.6	0.8	0.9	0.9	1.3	1.3	1.5	1.5	1.8	1.8	2.4	3.0	3.0	3.6	4.8	
			D	mm	0.8	1.0	1.2	1.2	1.6	1.6	2.0	2.0	2.4	2.4	3.2	4.0	4.0	5.0	6.4	
Angle of twist at nominal torque	LENGTH	K	$\varphi_N \pm 25\%$	°	1.0	1.0	1.0	1.0	1.0	1.0	1.0	1.0	1.5	1.8	2.0	2.0	2.0	2.5	2.5	
			L	°	1.7	1.7	1.7	1.7	1.7	1.7	1.7	2.0	2.4	2.5	2.5	2.5	2.7	3.2	3.2	
			D	°	2.0	2.3	2.5	2.5	2.5	2.5	2.5	2.8	2.8	3.0	3.0	3.05	3.5	4.0	4.0	
Inertia (nominal bore)	MM	K	kgm <sup>2</sup> · 10 <sup>-4</sup>		0.013	0.040	0.14	0.24	0.59	0.83	1.95	2.57	5.54	5.64	13.6	29.6	42.8	131	332	
				L		0.015	0.048	0.16	0.28	0.68	0.96	2.18	2.91	6.27	6.48	15.6	34.1	48.5	151	386
				D		0.017	0.053	0.18	0.31	0.75	1.06	2.40	3.25	7.00	7.32	17.5	38.6	56.2	175	440
	MF	K	kgm <sup>2</sup> · 10 <sup>-4</sup>		0.039	0.16	0.32	0.51	0.89	1.28	2.07	2.80	5.24	5.80	13.2	27.9	47.7	142	353	
				L		0.041	0.17	0.34	0.54	0.98	1.42	2.29	3.14	5.97	6.65	15.2	32.4	53.4	161	407
				D		0.043	0.18	0.36	0.57	1.04	1.51	2.52	3.47	6.70	7.48	17.1	36.9	61.1	186	461
	FF	K	kgm <sup>2</sup> · 10 <sup>-4</sup>		0.065	0.28	0.50	0.77	1.19	1.73	2.18	3.03	4.94	5.96	12.8	26.3	52.6	152	374	
				L		0.067	0.29	0.52	0.80	1.28	1.87	2.41	3.37	5.67	6.80	14.8	30.8	58.3	172	428
				D		0.069	0.30	0.54	0.84	1.34	1.96	2.63	3.70	6.40	7.65	16.8	35.3	66.0	196	482
Weight (nominal bore)	MM	K	kg		0.032	0.065	0.13	0.17	0.31	0.35	0.65	0.69	1.19	1.14	2.07	3.35	4.16	8.08	14.2	
				L		0.036	0.075	0.15	0.19	0.36	0.40	0.71	0.77	1.34	1.29	2.35	3.87	4.69	9.18	16.3
				D		0.039	0.080	0.17	0.21	0.39	0.43	0.79	0.85	1.5	1.46	2.65	4.35	5.39	10.65	18.5
	MF	K	kg		0.039	0.094	0.16	0.19	0.30	0.34	0.53	0.58	0.94	0.94	1.68	2.75	3.57	6.93	11.9	
				L		0.043	0.104	0.17	0.21	0.34	0.39	0.59	0.66	1.08	1.10	1.98	3.20	4.09	7.95	14.1
				D		0.047	0.111	0.19	0.23	0.38	0.43	0.67	0.74	1.24	1.25	2.27	3.69	4.79	9.45	16.2
	FF	K	kg		0.046	0.122	0.17	0.21	0.28	0.34	0.41	0.46	0.68	0.74	1.27	2.11	3.00	5.75	9.6	
				L		0.050	0.133	0.19	0.23	0.33	0.39	0.48	0.55	0.83	0.89	1.58	2.56	3.50	6.84	11.8
				D		0.054	0.140	0.21	0.25	0.36	0.42	0.56	0.63	0.99	1.05	1.86	3.05	4.25	8.26	13.9

### ORDERING EXAMPLES:

Type MM, size 35, length D, pilot bored:

mm 35 D Flex coupling, pilot bored, part no 6111307

Type MM, size 25, length L, bore with keyway: one side 20 mm / other side 25 mm:

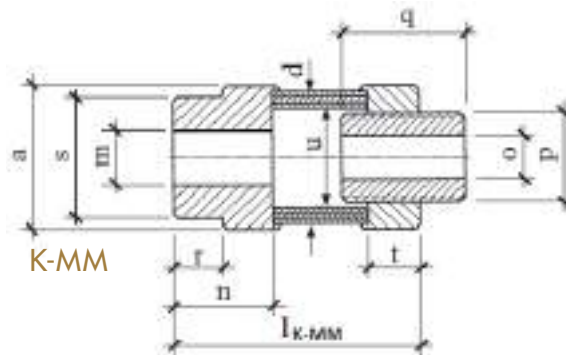
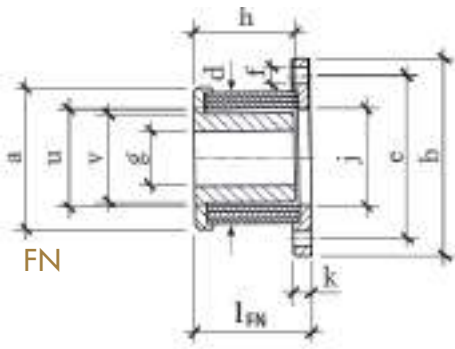
MM 25 L Flex coupling, d1 = 20-H7, keyway DIN 6885/1, d2 = 25-H7, keyway DIN 6885/1

Type MF, size 16, length K, for temperature 300°C, bore 16 mm with keyway and grubscrew:

MF 16 K Flex coupling hardsoldered, d = 16-H7, keyway DIN 6885/1 + grubscrew

# FLEX COUPLINGS

FN, K-MM



## DIMENSIONS

			20	25	35	45	55
<b>FN</b>	<i>a</i>	mm	50	65	85	105	125
	<i>b</i>		75	90	120	150	180
	<i>l<sub>FN</sub></i>		44	52	66	86	110
	<i>d</i>	mm	45	60	80	100	120
	<i>e</i>		62	74.5	101.5	130	155.5
	<i>f</i>		6×Ø5.8	4×Ø7	8×Ø7	8×Ø9.5	8×Ø11.5
	<i>g pilot bored</i>	mm	9	14	23	28	33
	<i>g max. with keyway</i>		20	30	42	55	65
	<i>h</i>		36	45	57	77	98
	<i>i<sup>H7</sup></i>	mm	32	44	60	75	88
<i>k</i>		8	8	11	12	15	
<i>v</i>		30	41	55	72	84	
<b>Part number of pilot bored design</b>			6109993	6110044	6110054	6110097	6110152
<b>K-MM</b>	<i>a</i>	mm	50	65	85	105	125
	<i>d</i>		45	60	80	100	120
	<i>l<sub>K-MM</sub></i>		85	110	145	185	225
	<i>m pilot bored</i>	mm	9	15	19	28	33
	<i>m max. with keyway</i>		25	35	45	60	75
	<i>n</i>		35	45	60	75	90
	<i>o max. with keyway</i>	mm	16	25	35	45	55
	<i>p</i>		6×26×30	8×36×40	8×52×58	8×62×68	10×72×78
	<i>q</i>		40	55	75	95	115
	<i>r</i>	mm	18	21.5	27	37	47
<i>s</i>		40	55	70	90	105	
<i>t</i>		17	21.5	33	38	43	
<i>u</i>		33	45	61	76	90	
<b>Part number bored design without splined shaft</b>			6110348	6110353	6110365	6110371	6110374
<b>Part number for splined shaft</b>			6111629	6111630	6111632	6111633	6111634

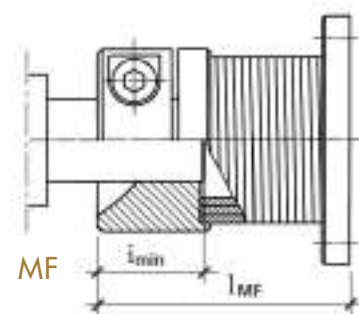
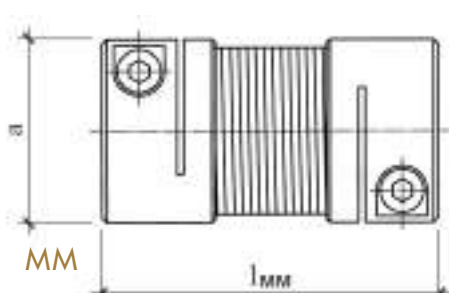
## SPECIFICATIONS

Nominal bore in mm = size			20	25	35	45	55	
Nominal torque	<i>M<sub>N</sub></i>	Nm	75	150	300	600	900	
Max. speed	<i>n<sub>max</sub></i>	min <sup>-1</sup>	7000	6000	3000	1500	1500	
Angular misalignment	$\Delta W_w$	°	2	2	2	2	2	
Radial misalignment	$\Delta W_r$	mm	0.4	0.5	0.7	0.9	1.1	
Axial misalignment (tension)	$\Delta W_t$	mm	0.6	1.0	1.25	1.65	2	
Angle of twist at <i>M<sub>N</sub></i>	$\varphi_N \pm 25\%$	°	1.5	2.5	2.5	3	3.5	
Inertia (max. bore)	<b>FN</b>	J	kgm <sup>2</sup> ·10 <sup>-4</sup>	2.98	7.74	31.5	93.8	245
	<b>K-MM</b>			2.72	10.7	42.6	124	294
Weight (max. bore)	<b>FN</b>	m	kg	0.55	0.96	2.15	4.1	7.6
	<b>K-MM</b>		mm	0.79	1.73	4	7.3	12



# FLEX COUPLINGS WITH CLAMP-HUB

MM, MF



## DIMENSIONS

Nominal bore in mm = size		06	08	12	14	16	19	20	24	25	28
Nominal torque	Nm	2.5	5	10	10	20	20	40	40	90	90
$\alpha$	mm	17	21	26	30	35	38	45	48	55	56
$d_{min}$	mm	3	4	7	7	10	10	12	12	15	15
$d_{max}$	mm	6	8	12	14	16	19	20	24	25	28
$i_{min}$	mm	8	10	15	15	20	20	25	25	31	31
$l_{MM}$	K	25	35	50	50	65	65	80	80	100	100
	L	30	45	60	60	80	80	95	95	120	120
	D	35	50	70	70	90	90	110	110	140	140
$l_{MF}$	K	20	30	40	40	50	50	60	60	75	75
	L	25	40	50	50	65	65	75	75	95	95
	D	30	45	60	60	75	75	90	90	115	115
$g$ (DIN 912-12.9)	mm	M2.5x8	M3x10	M4x12	M4x12	M5x16	M5x16	M6x20	M6x20	M8x25	M8x25
Screw tightening torque	Nm	1.2	2.1	4.9	4.9	9.7	9.7	16.5	16.5	40	40
Max. tolerance of the shaft		h9									

The types MM of sizes 06 to 28 are available with clamp-hub one-sided or two-sided. The types MF of sizes 06 to 28 correspondingly available with only one clamp-hub. The specifications and other dimensions correspond to the standard model.

## CALCULATION OF FLEX COUPLINGS

### Formula

$$M_{rec} = \frac{9550}{n} \times kW \times S \times k \text{ [Nm]}$$

$n$  = Revolutions per min

$S$  = Safety factor (look at table)

$k$  = Starting frequency-factor (look at table)

The specifications about maximum misalignment and speed must be observed. The maximum limits of misalignments should not occur simultaneously.

### Safety factor S

Load	Hours operating day	Type of machine	
		Electric motor	Hydraulic motor
Light, even load	4	0.8	1
	8	1	1.25
	24	1.25	1.5
Irregular shock-free load, few drive reversals	4	1	1.25
	8	1.25	1.5
	24	1.5	1.75
Irregular shock load, few drive reversals	4	1.25	1.5
	8	1.5	1.75
	24	1.75	2
Arduous driving conditions, frequent drive reversals	4	1.5	1.75
	8	1.75	2
	24	2	2.25

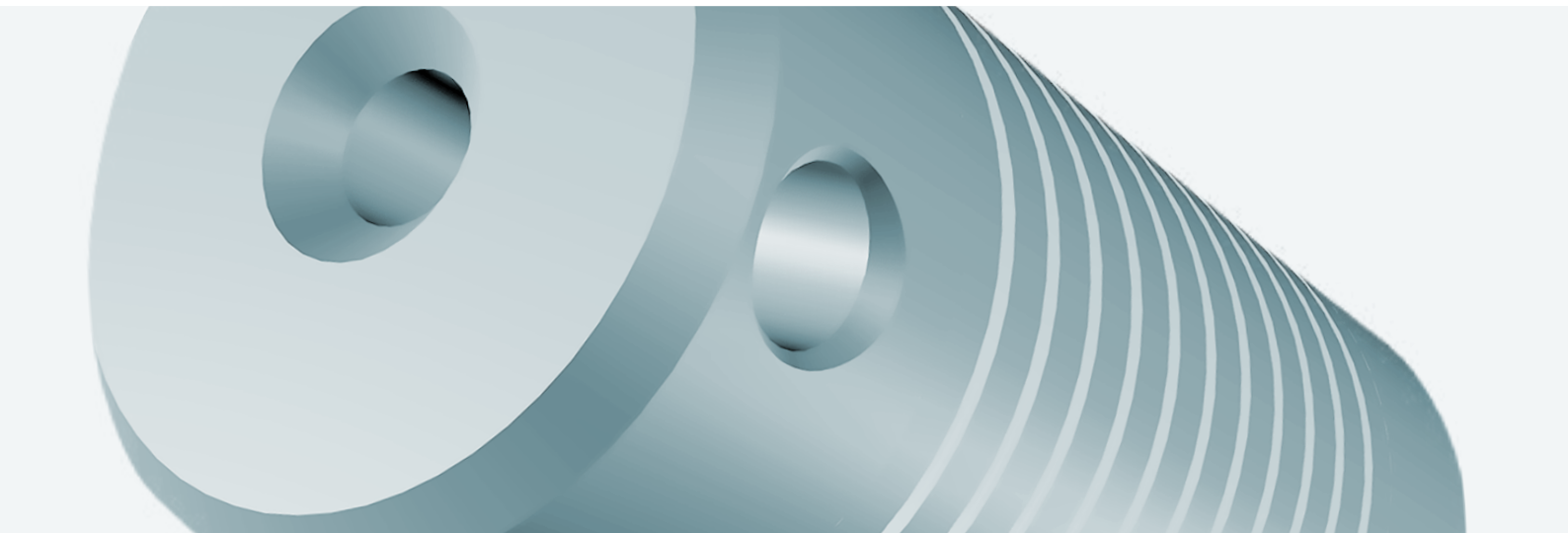
### Starting frequency-factor k

Max. number of starts per hour	30	60	20	180
Starting frequency-factor k	1	1.2	1.5	2



# MINIFLEX COUPLINGS

LM, ZG



## FEATURES/STRUCTURE

- › All-round movable
- › Rotation-elastic transmission element (spring assembly) edgewise up coiled helical compression spring, of wire with rectangular cross section, with spring ends screwed into hubs (LM), respectively pushed into hubs (ZG)
- › Use temperature up to 120 °C

## STANDARD MODELS

### TYPE LM

Spring body made of stainless steel wire in two lengths per size. Light metal hubs with different finished bores (tolerance H7). Inserted set screw (type DIN 916) inclusive.

### TYPE ZG

Spring body made of nickel-plated spring steel wire. Zinc compression cast hubs with different finished bores (tolerance +0.05/0). Inserted set screw (type DIN 916) inclusive.

## SPECIAL MODELS

Possible for both types, referring to spring assembly and hub. Feel free to contact us.

## AVAILABILITY

All standard couplings are available at short notice, even with different bores on each side. For special applications and non-standard executions please contact us.

## TYPES



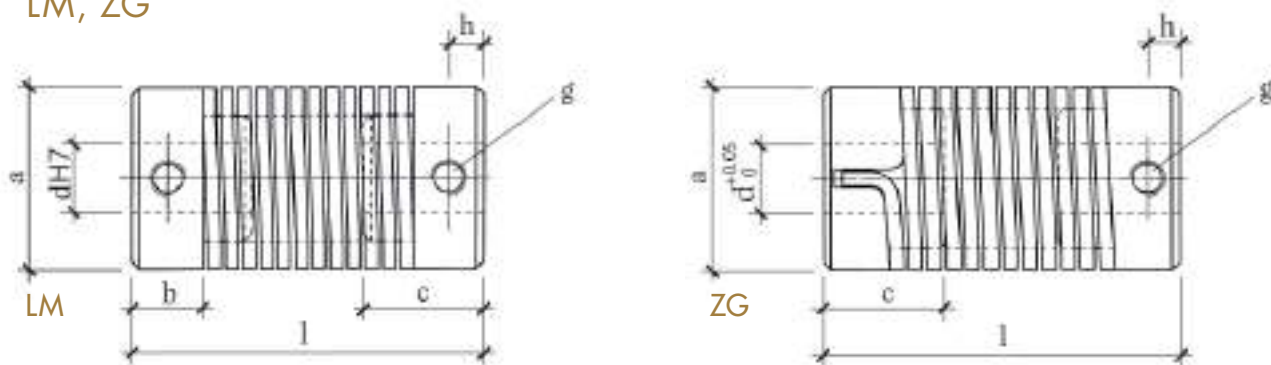
LM



ZG

# MINIFLEX COUPLINGS

LM, ZG



## DIMENSIONS

TYPES			LM						ZG		
Size (l x a)			35 x 14	50 x 14	40 x 20	60 x 20	50 x 26	70 x 26	25 x 12	35 x 16	50 x 26
Nominal torque		Nm	0.5		1.0		2.0		0.15	0.5	1.5
a		mm	14		20		26		12	16	26
b			6.5		7.5		10		-	-	-
c			12		14		17		9	12.5	17
d	H7	mm	4, 5, 6		5, 6, 7, 8, 9		8, 9, 10, 11, 12, 14		-	-	-
d	+0.05/0	mm	-		-		-		2, 3, 4, 5, 6	3, 4, 5, 6, 7, 8	6, 7, 8, 9, 10, 11, 12, 14
g		mm	M4		M4		M5		M3	M4	M5
h			3.5		4		5		2.4	3.5	4.5
l			35	50	40	60	50	70	25	35	50

### ORDERING EXAMPLE:

Type LM, size 40 x 20 mm, bore-diameter 6 and 8 mm:  
Miniflex coupling LM, 40 x 20 x 6 / 8 mm

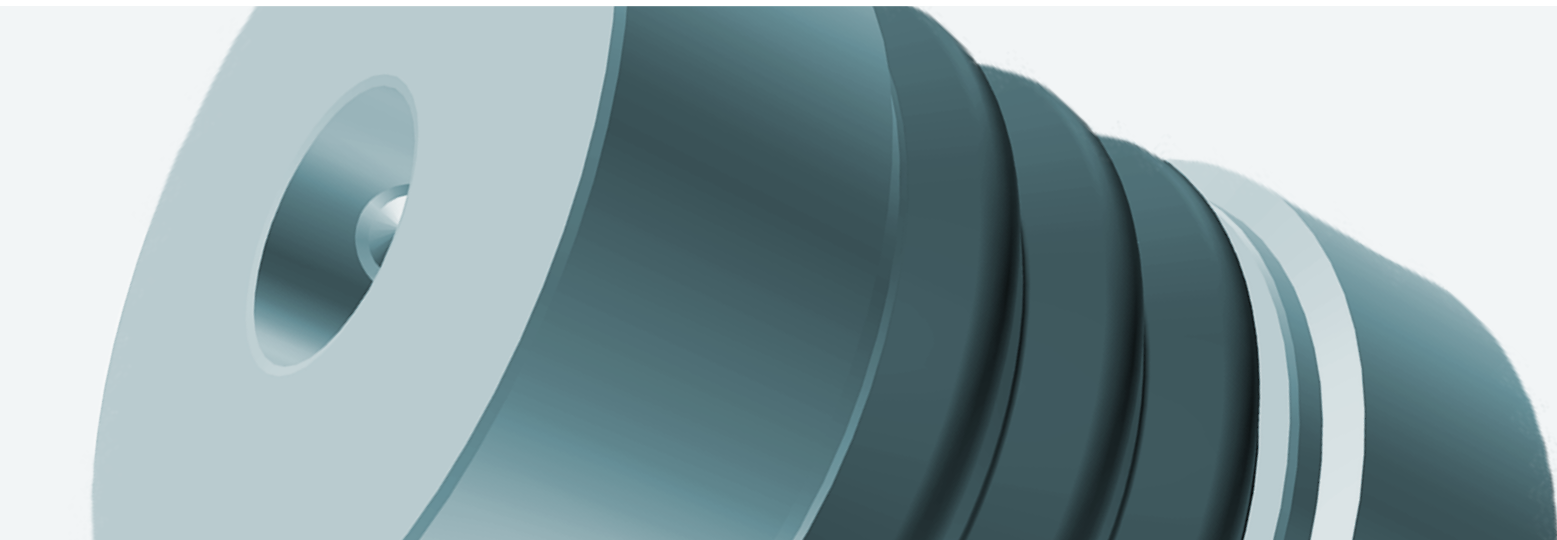
## SPECIFICATIONS

TYPE			LM						ZG		
Size (l x a)			35 x 14	50 x 14	40 x 20	60 x 20	50 x 26	70 x 26	25 x 12	35 x 16	50 x 26
Nominal torque	$M_N$	Nm	0.5		1.0		2.0		0.15	0.5	1.5
Max. speed	$n_{max}$	min <sup>-1</sup>	6000		6000		6000		8000	3000	3000
Angular misalignment	$\Delta W_w$	°	8	14	8	14	8	14	5	5	5
Radial misalignment	$\Delta W_r$	mm	1.5	2.0	2.0	3.0	3.0	4.5	0.5	1.0	1.5
Axial misalignment	$\Delta W_o$	mm	±1.0	±1.5	±1.5	±1.5	±1.0	±1.5	±0.5	±1.0	±1.0
Angle of twist at nominal torque	$\varphi_N$ ±5%	°	37	72	37	72	37	72	40 <sup>1</sup> /60 <sup>2</sup>	50 <sup>1</sup> /70 <sup>2</sup>	40 <sup>1</sup> /60 <sup>2</sup>
Inertia ( $d_{min}$ )	J	kgm <sup>2</sup> ·10 <sup>-6</sup>	0.593	0.899	2.76	4.48	9.38	13.99	0.195	1.22	11.77
Weight( $d_{min}$ )	m	kg	0.016	0.024	0.037	0.058	0.070	0.102	0.014	0.028	0.100

1 Rotation cw on drive side  
2 Rotation ccw on drive side

# BELLOW COUPLINGS

CHP



## FEATURES/USES

- › Torsionally stiff, play-free attachments to shaft
- › Accurate transmission of the rotary motion; at the same time the shaft misalignment caused by inaccuracy of installation, thermal expansion, etc. is compensated within the specified range
- › Range of permitted deviation reduced to 50% if number of revolutions is more than  $2000 \text{ min}^{-1}$

## TYPE

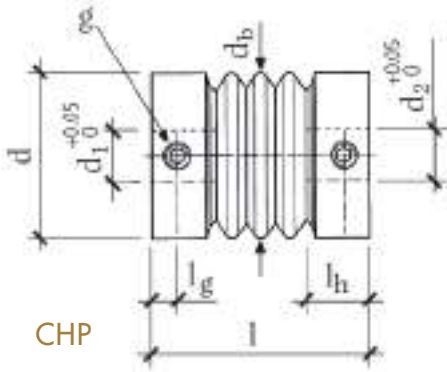


CHP

Bellow coupling made of plastic bellow and aluminium hubs. Use temperature between  $-20 \text{ }^{\circ}\text{C}$  to  $+60 \text{ }^{\circ}\text{C}$ .

# BELLOW COUPLINGS

## CHP



## DIMENSIONS

TYPES			CHP		
Size			20	26	34
$l$		mm	28	34	40
$l_h$		mm	8	10	12
$l_g$		mm	3	4	5
$d$		mm	20	26	34
$d_b$		mm	19.5	25.5	33.5
$d_{max}$		mm	8	13	18
$g$			2×M3	2×M4	2×M5
Part number (storing)					
	d1/d2	3/3	6109881		
		5/5	6109882		
		6/6		6109883	
		8/8		6109885	6109890
		10/10			6109892
		12/12			6109893

## SPECIFICATIONS

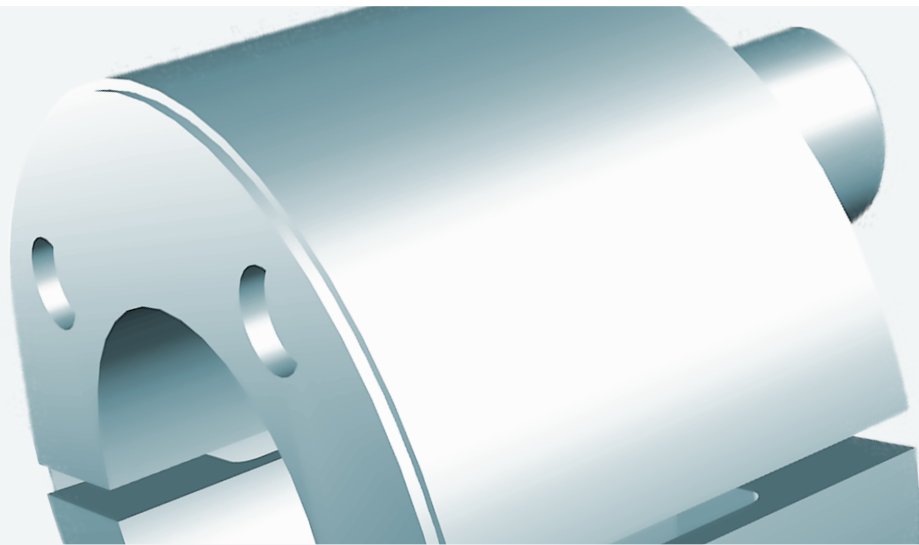
TYPE			CHP		
Size			20	26	34
Nominal torque	$M_N$	Nm	0.4	0.7	1.5
Max. speed	$n_{max}$	min <sup>-1</sup>	9000	7000	5500
Torsional stiffness	C	Nm/°	0.1	0.22	0.57
Angular misalignment	$\Delta W_w$	°	10	10	10
Radial misalignment	$\Delta W_r$	mm	0.5	0.5	0.5
Axial misalignment	$\Delta W_a$	mm	±0.5	±0.5	±0.5
Inertia ( $d_{max}$ )	J	kgm <sup>2</sup> ·10 <sup>-6</sup>	0.63	2.4	7.9
Weight( $d_{max}$ )	m	g	12	26	51

### ORDERING EXAMPLE:

Type CHP, size 26 mm, bore both side 8 mm:  
Bellows coupling CHP, part no 6109885

# LOCKING ASSEMBLIES

DKWN



## FEATURES

- › Simple design
- › Ideal stress distribution between shaft and hub
- › High transmittable torque
- › High concentricity
- › Forcing screw thread for simple release
- › No special tools required

## FIT SIZES, SURFACE

- › Shaft and hub up to quality h9/H9
- › Depth of roughness shaft/hub  $< 12 \mu\text{m}$
- › Rotation up to shafts- $\varnothing$  28 mm: 0.02 mm; from 30 mm: 0.04 mm

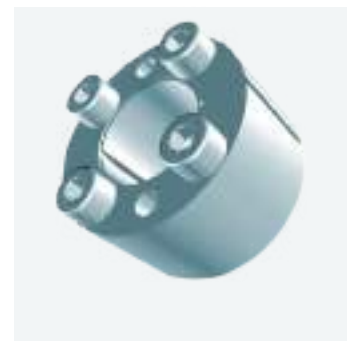
## INSTALLATION

Engage the locking assembly slightly oiled, do not use  $\text{MoS}_2$  or grease. Tighten screws, crosswise moved, to tightening torque in several steps. Important: the locking assembly must be located in the bore at least with the measure «L».

## REMOVAL

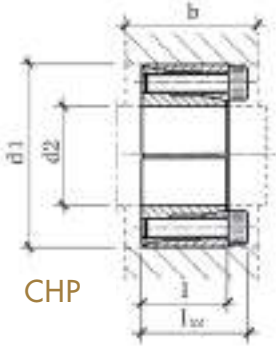
Loosen the screws crosswise, use fixed forcing threads if necessary.

## TYPE



# LOCKING ASSEMBLIES

DKWN



## CALCULATION OF HUB OUTSIDE DIAMETER

### Formula

$$D_N \geq D \cdot \sqrt{\frac{\sigma_{0.2N} + P_N \cdot C}{\sigma_{0.2N} - P_N \cdot C}}$$

C = 0.6 width of the hub design b = 2 × l

C = 1.0 width of the hub design b = l

### Service factors

Type of machine	LOAD		
	permanent	pulsating	alternating
Electric motor	1	1.5	2
Piston type pumps, compressor	1.5	2.5	3

Part number	Dimensions				Transmittable		Surface pressure		Screw (DIN 912-12.9)		Tightening torque	Inertia	Weight
	d2	d1	l	l <sub>tot</sub>	Drehmoment m <sub>t</sub>	Axialkraft f <sub>ax</sub>	an Welle P <sub>w</sub>	an Nabe P <sub>N</sub>	Size	No.	m <sub>e</sub>	J	m
	mm	mm	mm	mm	Nm	kN	N/mm <sup>2</sup>	N/mm <sup>2</sup>			Nm	kgcm <sup>2</sup>	kg
6109896	6	16	11	13.5	6	2	150	55	M2.5×10	3	1.2	0.005	0.012
6109895	6.35	16	11	13.5	6	2	140	55	M2.5×10	3	1.2	0.005	0.012
6109898	7	17	11	13.5	8	2	125	55	M2.5×10	3	1.2	0.006	0.013
6109899	8	18	11	13.5	10	2.5	110	50	M2.5×10	3	1.2	0.008	0.015
6109901	9	20	13	15.5	15	3	120	55	M2.5×12	4	1.2	0.013	0.020
6109900	9.53	20	13	15.5	15	3	110	55	M2.5×12	4	1.2	0.013	0.020
6109902	10	20	13	15.5	15	3	110	55	M2.5×12	4	1.2	0.013	0.019
6109903	11	22	13	15.5	18	3	100	50	M2.5×12	4	1.2	0.019	0.023
6109904	12	22	13	15.5	20	3	90	50	M2.5×12	4	1.2	0.018	0.022
6109906	14	26	17	20	35	5	105	55	M3×16	4	2.1	0.045	0.039
6109907	15	28	17	20	40	5	100	50	M3×16	4	2.1	0.059	0.044
6109908	16	32	17	21	70	8	130	65	M4×16	4	4.9	0.113	0.066
6109909	17	35	21	25	75	8	120	60	M4×20	4	4.9	0.183	0.092
6109910	18	35	21	25	80	8	115	60	M4×20	4	4.9	0.180	0.087
6109911	19	35	21	25	85	8	110	60	M4×20	4	4.9	0.176	0.084
6109912	20	38	21	26	150	15	140	75	M5×20	4	9.7	0.254	0.10
6109913	22	40	21	26	160	14	130	70	M5×20	4	9.7	0.306	0.11
6109914	24	47	26	32	250	20	140	75	M6×25	4	16.5	0.739	0.20
6109916	25	47	26	32	260	20	135	75	M6×25	4	16.5	0.727	0.19
6109915	25.4	47	26	32	265	20	130	75	M6×25	4	16.5	0.722	0.19
6109917	28	50	26	32	440	30	185	100	M6×25	6	16.5	0.910	0.22
6109919	30	55	26	32	470	30	175	95	M6×25	6	16.5	1.34	0.27
6109920	32	55	26	32	500	30	165	95	M6×25	6	16.5	1.29	0.25
6109921	35	60	31	37	730	40	165	95	M6×30	8	16.5	2.27	0.36
6109922	38	65	31	37	800	40	155	90	M6×30	8	16.5	3.15	0.43
6109923	40	65	31	37	840	40	145	90	M6×30	8	16.5	3.02	0.40
6109924	42	75	36	44	1200	55	165	90	M8×35	6	40	6.52	0.69
6109925	45	75	36	44	1300	55	155	90	M8×35	6	40	6.22	0.63
6109927	48	80	36	44	1850	75	195	115	M8×35	8	40	8.14	0.74
6109928	50	80	36	44	1900	75	185	115	M8×35	8	40	7.86	0.70

ORDERING EXAMPLE: Locking assembly DKWN 18-35, Part no. 6109910

# SPECIAL SOLUTION

## FLEX COUPLINGS

### FLEX COUPLING MM 24 K

Short hubs and reworked outside diameter.



### FLEX COUPLING MM 12 K

Special hub in brass and mounted screw M6.



### YOUR COUPLING

We offer customized couplings. Contact us and we will find the right coupling for your needs.







**Poleas de  
Casquillo  
Cónico**



**Piñones de  
Casquillo  
Cónico**



**Correas  
Industriales**



**Casquillos  
Cónicos**



**Acoplamientos  
autoblocantes**



**Acoplamientos  
Bamatec**



**Ruedas libres  
Stieber**

